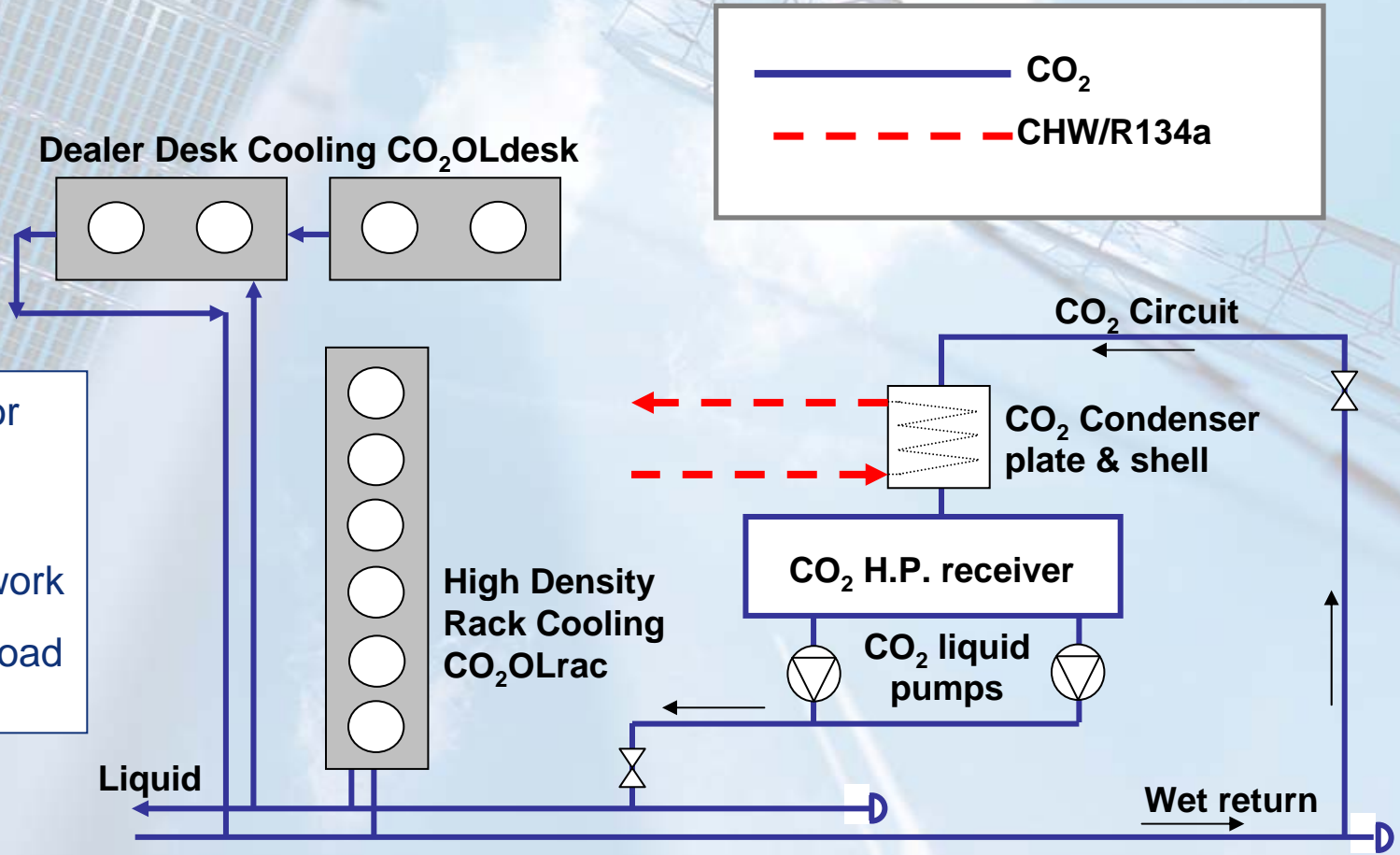




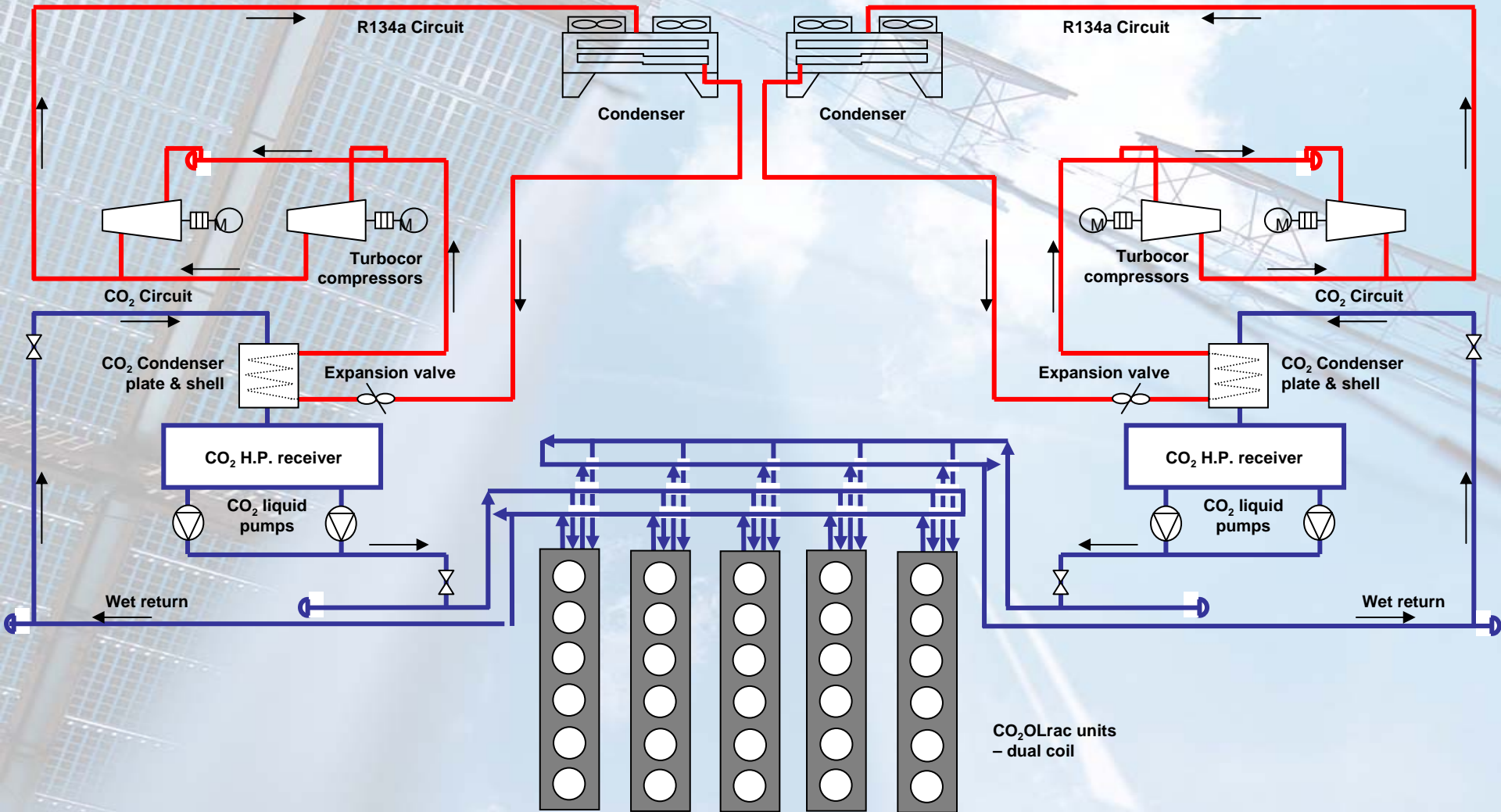
CO₂OLrac™

CO₂OLrac™ SCHEMATIC – SECONDARY VOLATILE CO₂

- Primary CHW or Refrigerant
- Valve free distribution pipework
- Self balancing load driven



N + N : CO₂OLairpac™, PIPEWORK & COILS



CO₂OLrac-T4 (THERMOSYPHON)

