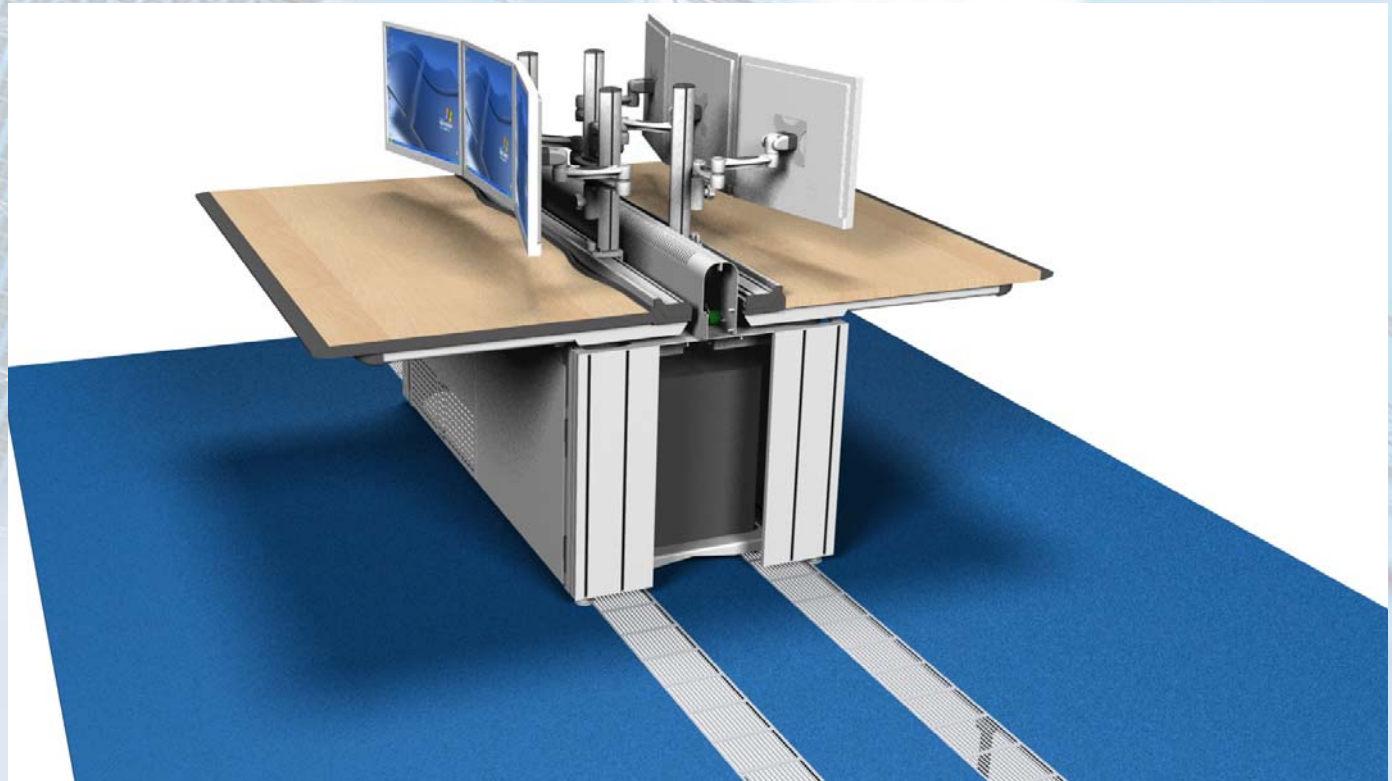




CO₂OLdesk™

CO₂OLdesk™ COOLING – RECESSED



- 200mm deep x linear construction
- Replaces 600mm floor tiles
- 1500W cooling per unit



CO₂OLdesk™ COOLING – SEMI RECESSED



- 1200W cooling capacity
- 150mm deep
 - 75mm above F.F.L.
 - 75mm below F.F.L.
- Dual power supply A+B
- Temperature monitoring
 - Holistic PC install
- BMS & LED fan alarm
 - Daisy chained
 - Common alarm

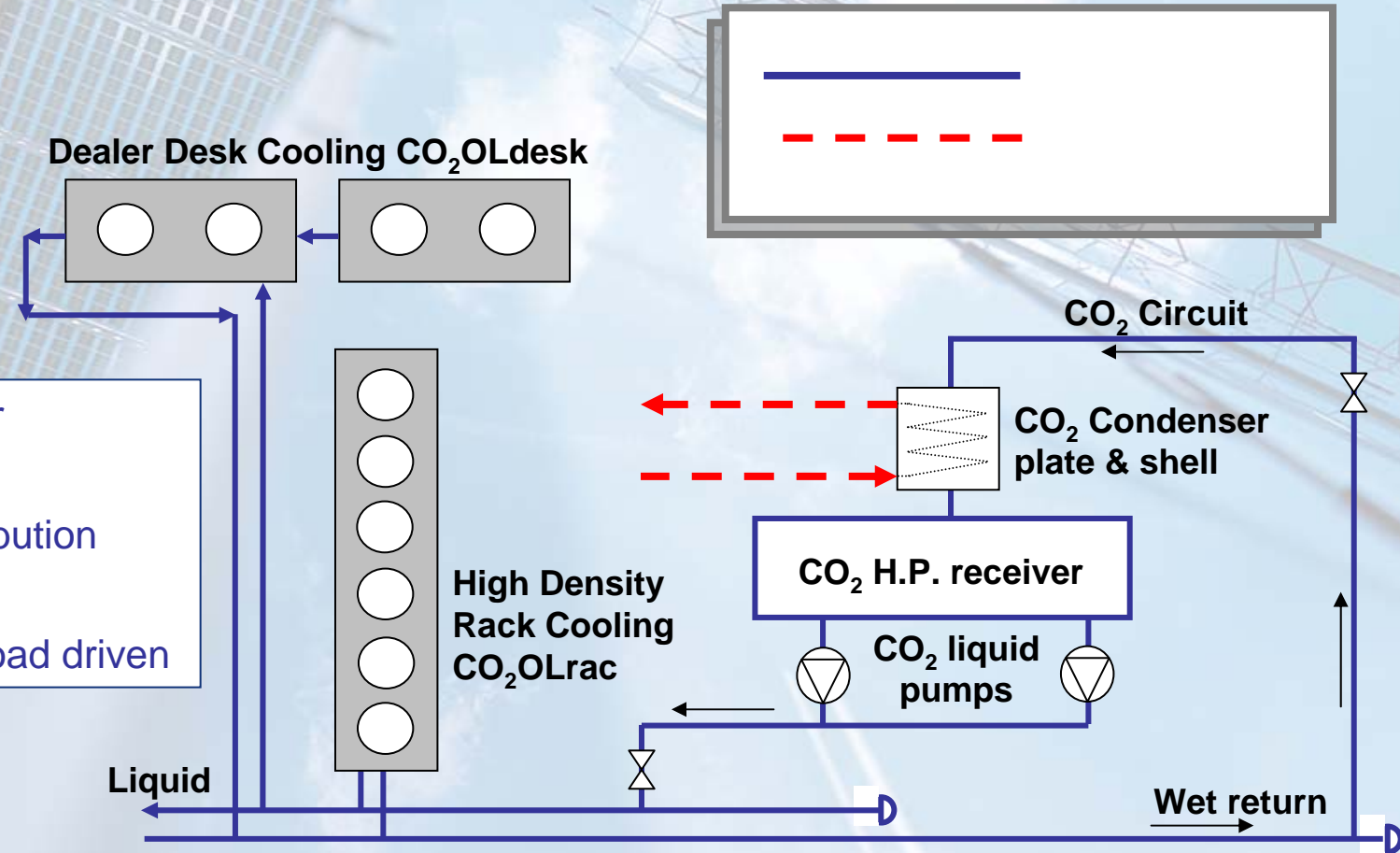
CO₂OLdesk™ COOLING – SURFACE MOUNTED

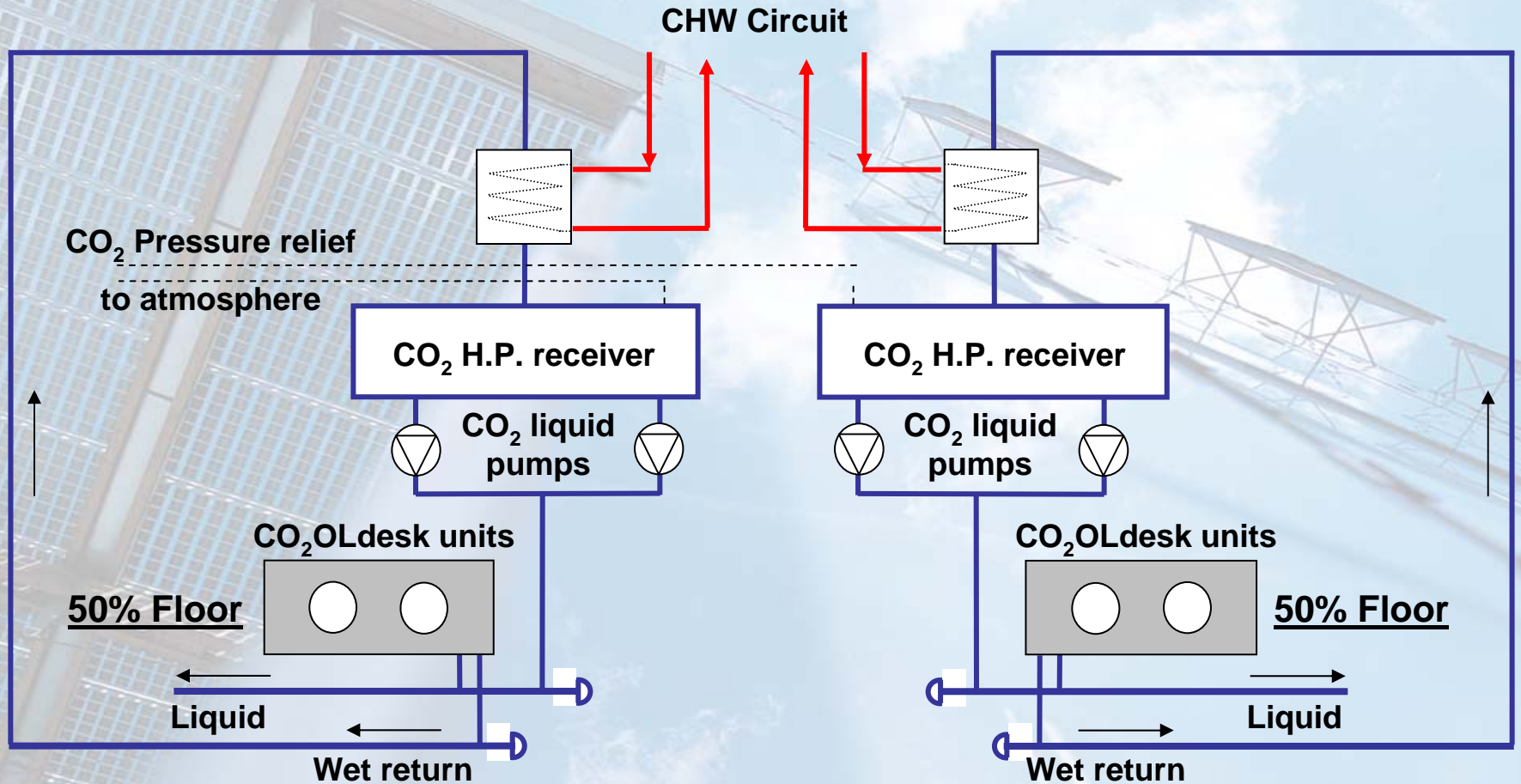


- 80mm deep
- Mounts directly onto floor tiles
- Desks remain in-situ
- PC's retro-fitted
- Cold formed joint (Lokring)
- Pressure rating 500 Bar

SCHEMATIC – SECONDARY VOLATILE CO₂

- Primary CHW or Refrigerant
- Valve free distribution pipework
- Self balancing load driven





CO₂OLairpac™ CHILLER & CO₂ PLANT

